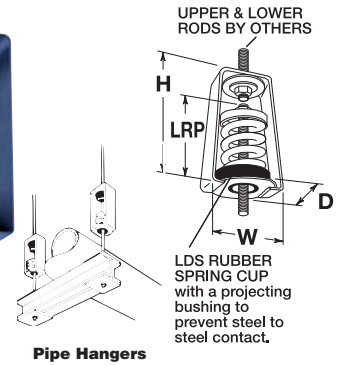


Spring Hanger Vibration Isolators

Steel springs reduce vibration transmission 2 to 6 times better than neoprene, as performance improves with larger deflections. LDS (Low Dynamic Stiffness) rubber cups under the springs and a projecting rubber bushing prevent sound transmission.

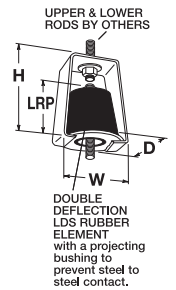


Cap. Range	Deflection Range	D	H	W	Lower Rod Penetration	Max. Rod Dia.	Spring Color	Brand	Item No.
55 to 76 lb	0.75 in to 1.02 in	—	4 1/4 in	2 7/8 in	3 1/2 in	3/8 in	Black	—	48PW81
80 to 113 lb	0.75 in to 1.00 in	—	4 1/4 in	2 7/8 in	3 1/2 in	3/8 in	Yellow	—	48PW82
130 to 175 lb	0.75 in to 1.00 in	—	4 1/4 in	2 7/8 in	3 1/2 in	3/8 in	Silver	—	48PW83
162 to 210 lb	0.75 in to 1.00 in	—	4 1/4 in	2 7/8 in	3 1/2 in	3/8 in	Blue	—	48PW85
230 to 310 lb	0.75 in to 1.00 in	—	5 3/4 in	3 3/4 in	4 in	3/8 in	Yellow	—	48PW86
300 to 400 lb	0.75 in to 1.00 in	—	5 3/4 in	3 3/4 in	4 in	3/8 in	Green	—	48PW84
380 to 510 lb	0.75 in to 1.00 in	2 3/4 in	5 3/4 in	3 3/4 in	4 in	3/8 in	Red	Mason	5XR57
460 to 625 lb	0.75 in to 1.00 in	2 3/4 in	5 3/4 in	3 3/4 in	4 in	3/8 in	White	Mason	5C147
500 to 750 lb	0.75 in to 1.12 in	4 in	7 1/4 in	4 3/4 in	4 1/4 in	3/4 in	White	Mason	5C148
750 to 1000 lb	0.75 in to 1.00 in	4 in	7 1/4 in	4 3/4 in	4 1/4 in	3/4 in	Blue	Mason	5C150
940 to 1250 lb	0.75 in to 1.00 in	4 in	7 1/4 in	4 3/4 in	4 1/4 in	3/4 in	Gray	Mason	5C151

Pipe Hangers

LDS (Low Dynamic Stiffness) Rubber Hanger Vibration Isolators

Reduce noise transmission and vibration from equipment running over 1000 rpm. General purpose double deflection for ceiling-suspended mechanical equipment and piping.

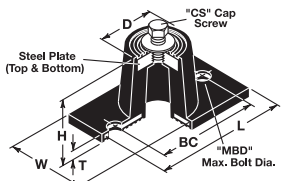


Cap. Range	Deflection Range	D	H	W	Lower Rod Penetration	Max. Rod Dia.	Color Mark	Brand	Item No.
10 to 35 lb	0.05 in to 0.20 in	—	2 13/32 in	2 in	1 1/4 in	3/8 in	Green	—	48PW75
30 to 75 lb	0.10 in to 0.20 in	—	2 13/32 in	2 in	1 1/4 in	3/8 in	White	—	48PW76
20 to 45 lb	0.18 in to 0.35 in	—	2 3/4 in	2 1/4 in	1 3/4 in	1/2 in	Black	—	48PW78
40 to 75 lb	0.18 in to 0.35 in	—	2 3/4 in	2 1/4 in	1 3/4 in	1/2 in	Green	—	48PW77
60 to 125 lb	0.18 in to 0.35 in	—	2 3/4 in	2 1/4 in	1 3/4 in	1/2 in	Red	—	48PW79
115 to 235 lb	0.20 in to 0.40 in	—	4 1/2 in	4 1/4 in	3 in	3/4 in	Red	—	48PW80
190 to 380 lb	0.24 in to 0.40 in	3 1/4 in	4 1/2 in	4 1/4 in	3 in	3/4 in	White	Mason	5C011
325 to 650 lb	0.24 in to 0.40 in	3 1/4 in	4 1/2 in	4 1/4 in	3 in	3/4 in	Yellow	Mason	5XR52
500 to 1000 lb	0.24 in to 0.40 in	3 1/4 in	4 1/2 in	4 1/4 in	3 in	3/4 in	Blue	Mason	5XR53

5XR52

Floor-Mount Vibration Isolators

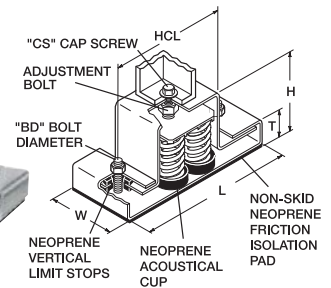
Thicker, taller vibration isolators provide more deflection than isolation pads. Neoprene bottom eliminates the need for bolting to floor. Mountings are oil-resistant. Include top bolts and washers.



Capacity Range	Deflection	H	D	L	T	MBD	W	BC	Cap Screw Dia. and Length	Color Mark	Brand	Item No.
15 to 45 lb	0.20 in to 0.40 in	1 1/2 in	1 1/4 in	3 3/8 in	1/4 in	—	1 3/8 in	2 1/2 in	M8 x 30mm	Black	—	48PW87
40 to 75 lb	0.25 in to 0.50 in	1 1/2 in	1 1/4 in	3 3/8 in	1/4 in	—	1 3/8 in	2 1/2 in	M8 x 30mm	Green	—	48PW88
60 to 125 lb	0.20 in to 0.40 in	1 1/2 in	1 1/4 in	3 3/8 in	1/4 in	—	1 3/8 in	2 1/2 in	M8 x 30mm	Red	—	48PW88
85 to 175 lb	0.25 in to 0.50 in	1 1/2 in	1 1/4 in	3 3/8 in	1/4 in	—	2 1/8 in	3 in	M10 x 30mm	Green	—	48PW89
125 to 250 lb	0.25 in to 0.50 in	1 1/2 in	1 1/4 in	3 3/8 in	1/4 in	—	2 1/8 in	3 in	M10 x 30mm	Red	—	48PW89
190 to 380 lb	0.25 in to 0.50 in	1 1/2 in	1 1/4 in	3 3/8 in	1/4 in	—	2 1/8 in	3 in	M10 x 30mm	White	—	48PW90
550 to 1100 lb	0.25 in to 0.50 in	2 3/4 in	2 3/8 in	5 1/2 in	1 3/8 in	—	3 1/8 in	4 1/8 in	M12 x 30mm	Yellow	—	48PW94
275 to 550 lb	0.25 in to 0.50 in	2 3/4 in	2 3/8 in	5 1/2 in	1 3/8 in	1/2 in	3 3/8 in	4 1/8 in	1/2 x 1 in	Red	Mason	4C991
375 to 750 lb	0.25 in to 0.50 in	2 3/4 in	2 3/8 in	5 1/2 in	1 3/8 in	1/2 in	3 3/8 in	4 1/8 in	1/2 x 1 in	White	Mason	4C992
300 to 600 lb	0.25 in to 0.50 in	1 1/2 in	1 1/4 in	3 3/8 in	1/4 in	—	2 1/8 in	3 in	M10 x 30mm	Yellow	—	48PW93
1150 to 2300 lb	0.25 in to 0.50 in	2 3/4 in	3 3/8 in	6 1/4 in	1 3/8 in	1/2 in	4 in	5 in	1/2 x 1 in	Yellow	Mason	4C995
2150 to 4300 lb	0.25 in to 0.50 in	2 3/4 in	3 3/8 in	6 1/4 in	1 3/8 in	1/2 in	4 3/8 in	5 1/2 in	1/2 x 1 in	Yellow	Mason	4C997

Floor-Mount Seismic and Wind Vibration Isolators

Combine spring floor-mount vibration isolators and neoprene vertical limit stops for greater safety. G ratings meet the horizontal requirements of most seismic zones.



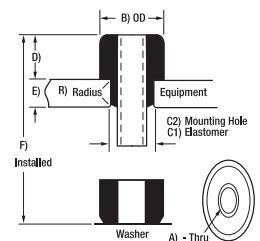
Capacity Range	Deflection	Max. Horiz. G Rating	H	L	T	W	BD	CS	HCL	Spring Color	Item No.
35 to 75 lb	0.75 in to 1.50 in	10.7"	11 1/2 in	8 3/4 in	1 3/8 in	2 1/2 in	3/8 in	3/8 x 1 in	6 in	Orange	5XR76
76 to 125 lb	0.75 in to 1.33 in	6.4"	5 1/2 in	8 3/4 in	1 3/8 in	2 1/2 in	3/8 in	3/8 x 1 in	6 in	Brown	5XR70
130 to 200 lb	0.75 in to 1.15 in	4.0"	5 1/2 in	8 3/4 in	1 3/8 in	2 1/2 in	3/8 in	3/8 x 1 in	6 in	Black	5XR71
230 to 310 lb	0.75 in to 1.00 in	2.6"	5 1/2 in	8 3/4 in	1 3/8 in	2 1/2 in	3/8 in	3/8 x 1 in	6 in	Yellow	5XR72
300 to 400 lb	0.75 in to 1.00 in	2.0"	5 1/2 in	8 3/4 in	1 3/8 in	2 1/2 in	3/8 in	3/8 x 1 in	6 in	Green	5XR73
380 to 510 lb	0.75 in to 1.00 in	1.6"	5 1/2 in	8 3/4 in	1 3/8 in	2 1/2 in	3/8 in	3/8 x 1 in	6 in	Red	5XR74
460 to 625 lb	0.75 in to 1.00 in	1.3"	5 1/2 in	8 3/4 in	1 3/8 in	2 1/2 in	3/8 in	3/8 x 1 in	6 in	White	5XR75
600 to 800 lb	0.75 in to 1.00 in	1.3"	5 1/2 in	11 1/8 in	1 3/4 in	2 1/2 in	3/8 in	3/8 x 1 in	8 3/4 in	Green	5XR66
765 to 1020 lb	0.75 in to 1.00 in	1.0"	5 1/2 in	11 1/8 in	1 3/4 in	2 1/2 in	3/8 in	3/8 x 1 in	8 3/4 in	Red	5XR64
940 to 1250 lb	0.75 in to 1.00 in	0.8"	5 1/2 in	11 1/8 in	1 3/4 in	2 1/2 in	3/8 in	3/8 x 1 in	8 3/4 in	White	5XR65

5XR64

2-Pc. Center-Bonded Mounts

Isolate unwanted noise, vibration, and shock in all directions, including rebound direction. Easily installed through a supporting structure mounting hole. Neoprene elastomer effectively resists flame, gasoline, oil, natural aging, abrasion, and weather. Zinc-plated steel snubbing washer included.

Warning: Not suitable for exposures over 165°F.



Shown Apart 2NPG8

Max. Load Radial	Max. Load Axial	Dimensions								Structural Support Thick	Durometer Hardness	Item No.
A	B	C1	C2	D	E	F	R					
80 lb	130 lb	0.39 in	1.31 in	0.75 in	0.79 in	3/8 in	0.38 in	1.25 in	0.04 in	0.38 in	60 in	2NPG8
120 lb	200 lb	0.531 in	1.88 in	1.25 in	1.3 in	3/8 in	0.5 in	1.94 in	0.06 in	0.5 in	60 in	2NPG9
280 lb	380 lb	0.657 in	2.55 in	1.5 in	1.58 in	3/8 in	0.75 in	2.45 in	0.09 in	0.75 in	60 in	2NPH1