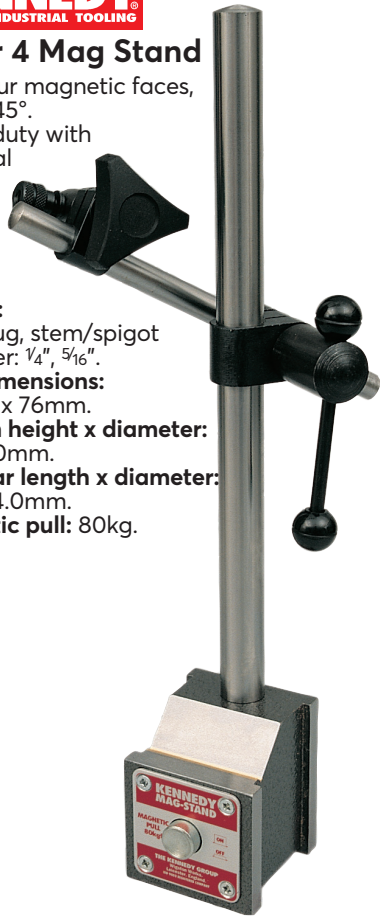




## Major 4 Mag Stand

With four magnetic faces, one at 45°. Heavy duty with universal clamp.

**Mounts:**  
1/4" I/D lug, stem/spigot diameter: 1/4", 5/16".  
**Base dimensions:**  
64 x 64 x 76mm.  
**Column height x diameter:**  
266 x 20mm.  
**Crossbar length x diameter:**  
200 x 14.0mm.  
**Magnetic pull:** 80kg.



Overall Height	Weight each	Order Code KEN-333	Price/1 THB
380mm	3.00kg	-2070K	6268.00

## Fine Adjusting 4 Mag Stand

With four magnetic faces, one at 45°. Heavy duty with universal clamp and fine adjustment.

**Mounts:**  
1/4" I/D lug, stem/spigot diameter: 1/8", 1/4".  
**Base dimensions:**  
64 x 64 x 76mm.  
**Column height x diameter:**  
175 x 12mm.  
**Crossbar length x diameter:**  
165 x 10.0mm.  
**Magnetic pull:** 80kg.



Overall Height	Weight each	Order Code KEN-333	Price/1 THB
280mm	1.90kg	-2060K	8230.00

## Universal 4 Mag Stand

With four magnetic faces, one at 45°. Heavy duty with universal clamp.

**Mounts:**  
1/4" I/D lug, stem/spigot diameter: 1/8", 5/16" and 3/8".  
**Base dimensions:**  
48 x 44 x 51mm.  
**Column height x diameter:**  
175 x 12mm.



**Crossbar length x diameter:**  
165 x 10.0mm.  
**Clamp ring:** 8mm.  
**Magnetic pull:** 30kg.

Overall Height	Weight each	Order Code KEN-333	Price/1 THB
227mm	0.90kg	-2100K	1491.00

## Compact 4 Mag Stand

With four magnetic faces, one at 45°. Medium duty with standard clamp.

**Mounts:**  
1/4" I/D lug, stem/spigot diameter: 5/16".  
**Base dimensions:** 48 x 44 x 51mm.



**Column height x diameter:**  
185 x 12mm.  
**Crossbar length x diameter:**  
150 x 6.3mm.  
**Clamp ring:** 8mm.  
**Magnetic pull:** 30kg.

Overall Height	Weight each	Order Code KEN-333	Price/1 THB
273mm	0.89kg	-2080K	1725.00

## Lever Type Base - 50kg

Fitted as standard to KEN-333-2030K, -2050K and -2110K two magnetic faces, bottom and back face. Large vee for curved surfaces.

**Threaded:** M8 x 1.25mm.  
**Base dimensions:** 60 x 50 x 55mm.  
**Magnetic pull:** 50kg.



Weight each	Order Code KEN-333	Price/1 THB
850g	-2240K	847.00

## Push Button Base - 30kg

Fitted as standard to KEN-333-2080K and -2100K. Four magnetic faces, bottom, sides and 45° angle face for curved surfaces.

**Base dimensions:** 48 x 44 x 51mm.  
**Threaded:** M8 x 1.25mm.  
**Magnetic pull:** 30kg.



Weight each	Order Code KEN-333	Price/1 THB
850g	-2220K	1488.00

## Push Button Base - 80kg

Fitted as standard to KEN-333-2060K and -2070K. Four magnetic faces, bottom, sides and 45° angle face for curved surfaces.

**Threaded:** M8 x 1.25mm.  
**Magnetic pull:** 80kg.



Weight each	Order Code KEN-333	Price/1 THB
850g	-2200K	13713.00