

## KENNEDY QUALITY INDUSTRIAL TOOLING Permanent Mag Stand

**Mini-Mag Stand**  
With one magnetic face.  
Light duty with standard clamp, 30mm diameter keeper.

**Mounts:**  
1/4" I/D lug, stem/spigot diameter: 5/16".  
**Column height x dia.:**  
120 x 6.3mm.  
**Clamp hole:** 8mm.  
**Magnetic pull:**  
14.75kg.  
**Base dimensions:**  
30 x 35mm.



Overall Height	Weight each	Order Code	Price/1 THB
150mm	320g	KEN-333 -2010K	715.00

## Lever Switchable Universal 2 Mag Stand

With two magnetic faces and large vee. Heavy duty with universal clamp.

**Mounts:**  
1/4" I/D lug, stem/spigot diameter: 4mm, 8mm, 3/8" without bush.  
**Column height x dia.:**  
175 x 12mm.  
**Crossbar length x dia.:**  
165 x 10mm.  
**Clamp ring:** 6.35mm.  
**Magnetic pull:** 50kg.  
**Base dimensions:**  
60 x 50 x 55mm.



Overall Height	Weight each	Order Code	Price/1 THB
230mm	1.2kg	KEN-333 -2030K	900.00

## Lever Switchable Fine Adjustable 2 Mag Stand

With two magnetic faces and large vee. Heavy duty with universal clamp and fine adjustment.

**Mounts:**  
1/4" I/D lug, stem/spigot diameter: 4mm, 8mm, 3/8" without bush.  
**Base dimensions:**  
60 x 50 x 55mm.  
**Column height x dia.:**  
175 x 12mm.  
**Crossbar length x dia.:**  
165 x 10mm.  
**Clamp ring:** 6.35mm.  
**Magnetic pull:** 50kg.

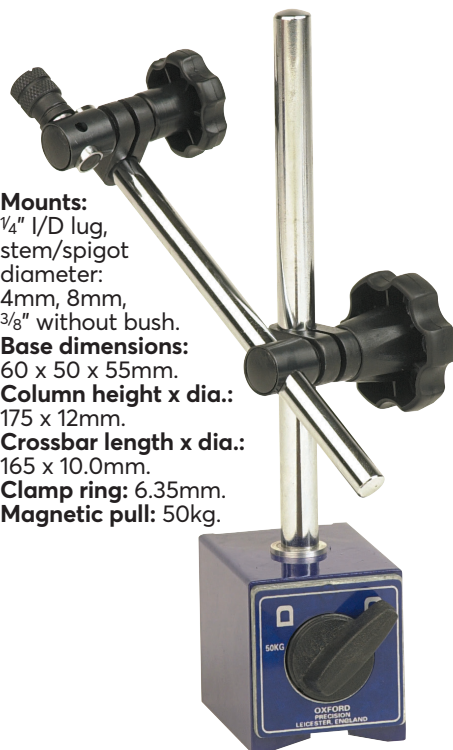


Overall Height	Weight each	Order Code	Price/1 THB
230mm	1.2kg	KEN-333 -2050K	978.00

## Universal 2 Mag Stand

Lever type, two magnetic faces and large vee. With universal clamp.

**Mounts:**  
1/4" I/D lug, stem/spigot diameter: 4mm, 8mm, 3/8" without bush.  
**Base dimensions:**  
60 x 50 x 55mm.  
**Column height x dia.:**  
175 x 12mm.  
**Crossbar length x dia.:**  
165 x 10.0mm.  
**Clamp ring:** 6.35mm.  
**Magnetic pull:** 50kg.

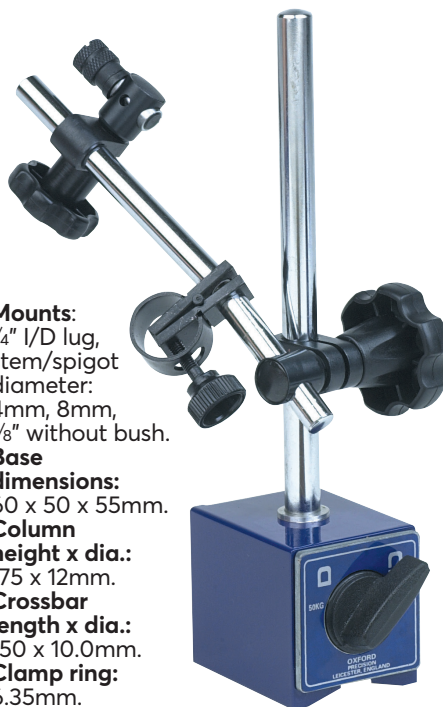


Overall Height	Weight each	Order Code	Price/1 THB
230mm	1.20kg	OXD-333 -7030K	1210.00

## Fine Adjustment 2 Mag Stand

Lever type two magnetic faces and large vee. Universal clamp.

**Mounts:**  
1/4" I/D lug, stem/spigot diameter: 4mm, 8mm, 3/8" without bush.  
**Base dimensions:**  
60 x 50 x 55mm.  
**Column height x dia.:**  
175 x 12mm.  
**Crossbar length x dia.:**  
150 x 10.0mm.  
**Clamp ring:** 6.35mm.  
**Magnetic pull:** 50kg.



Overall Height	Weight each	Order Code	Price/1 THB
230mm	1.20kg	OXD-333 -7050K	1280.00

## Universal 4 Mag Stand

With four magnetic faces, one at 45°. Universal clamp.

**Mounts:**  
1/4" I/D lug, stem/spigot diameter: 1/8", 5/16" and 3/8".

**Base dimensions:**  
48 x 44 x 51mm.  
**Column height x dia.:**  
175 x 12mm.  
**Crossbar x dia.:**  
165 x 10.0mm.  
**Clamp ring:** 6.35mm.  
**Magnetic pull:** 30kg.



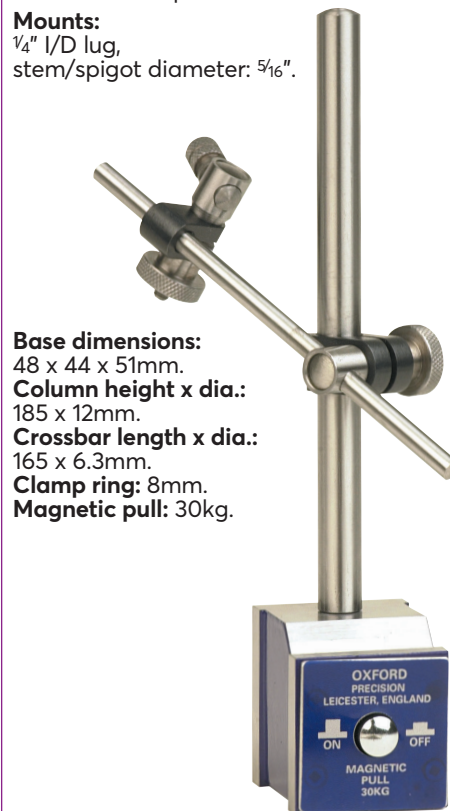
Overall Height	Weight each	Order Code	Price/1 THB
230mm	1.20kg	OXD-333 -7100K	1926.00

## Compact 4 Mag Stand

With four magnetic faces, one at 45°. Standard clamp.

**Mounts:**  
1/4" I/D lug, stem/spigot diameter: 5/16".

**Base dimensions:**  
48 x 44 x 51mm.  
**Column height x dia.:**  
185 x 12mm.  
**Crossbar length x dia.:**  
165 x 6.3mm.  
**Clamp ring:** 8mm.  
**Magnetic pull:** 30kg.



Overall Height	Weight each	Order Code	Price/1 THB
280mm	1.90kg	OXD-333 -7080K	1955.00