

## INDEXA Latch Plates

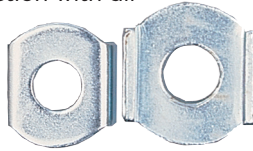
For use with latch type toggle clamps.



Base Size	Hook Width	Order Code IND-443	Price/1 THB
80 x 55mm	22mm	-8000K	1092.00

## Flanged Washers

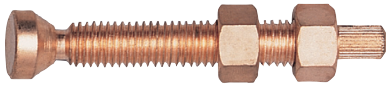
For use in conjunction with all spindles on clamps with adjustable 'U' bars.



To fit Spindle	Weight each	Order Code IND-443	Price/1 THB
5/32" (No.8/M4)	2g	-8700K	156.00
1/4"	4g	-8740K	158.00
5/16" (M8)	10g	-8780K	160.00
3/8" (M10)	15g	-8800K	161.00
1/2"	37g	-8820K	59.00
5/8"	49g	-8840K	64.00

## Swivel Foot Spindles

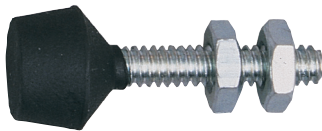
As Neoprene capped but suitable for clamping onto irregular shapes or angled workpieces.



Size	Length	Weight each	Order Code IND-443	Price/1 THB
1/4" UNC	2 1/4"	018g	-8500K	290.00
5/16" UNC	2 3/4"	031g	-8520K	368.00
1/2" UNC	4"	115g	-8560K	473.00

## Neoprene Capped Spindles

For use with adjustable 'U' bar type clamps and solid bar type clamps that have bolt retainers.



Size	Length	Weight each	Order Code IND-443	Price/1 THB
M4 x 0.70	25mm	5g	-8020K	107.00
M8 x 1.25	63mm	34g	-8100K	107.00
M10 x 1.5	85mm	64g	-8140K	107.00
No 10UNC	1 3/8"	9g	-8200K	163.00
1/4" UNC	1 3/4"	16g	-8220K	192.00
5/16" UNC	2 1/2"	31g	-8260K	193.00
3/8" UNC	3 1/2"	58g	-8300K	277.00
1/2" UNC	3 3/4"	125g	-8340K	431.00

## Neoprene Caps

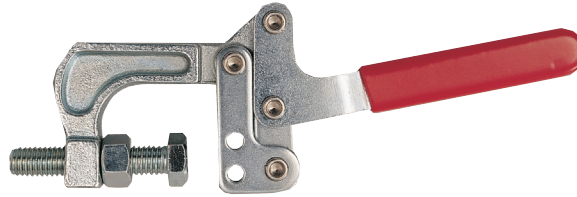
For standard adjustable spindles.



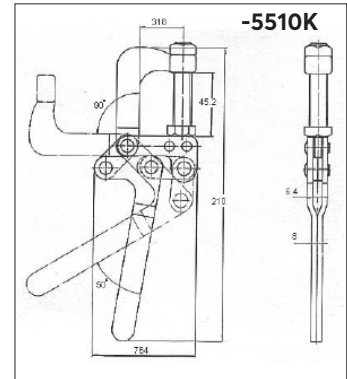
To fit Spindle	Weight each	Order Code IND-443	Price/1 THB
1/4"	08g	-8600K	153.00
5/16"	15g	-8620K	153.00
3/8"	24g	-8640K	155.00
1/2"	45g	-8660K	156.00

## Cam Type Toggle G-Clamp (Pull Back Clamp)

To securely fix the clamp into position the base can be welded to the work surface.

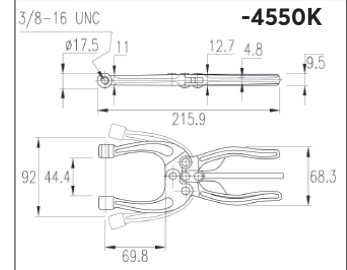
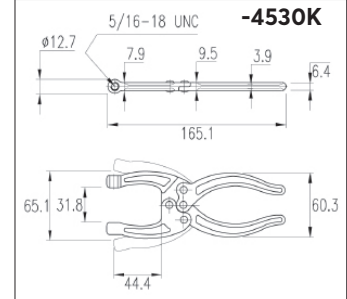
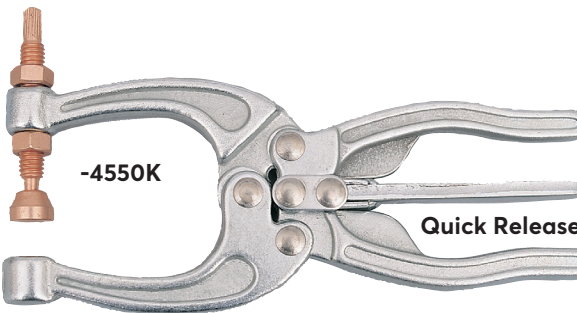
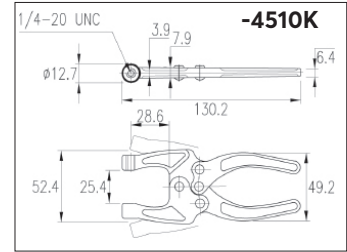


Holding Capacity	Jaw Opening	Jaw Movement	Handle Movement	Order Code IND-443	Price/1 THB
340kg	45.2mm	90°	50°	-5510K	1365.00



## Toggle Pliers

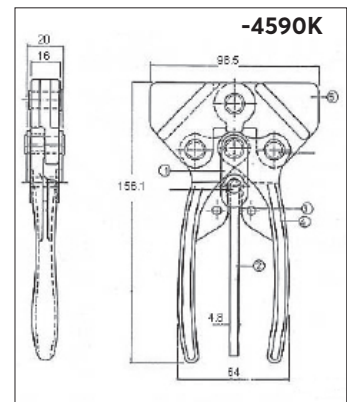
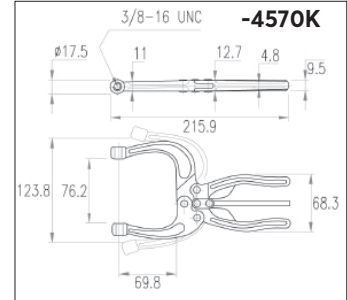
Toggle pliers have the advantage of a pivoting jaw mechanism to allow a deep throat depth to open and close easily when clamping awkward profiles such as steel angle section. The jaw spindle can be pre-set to achieve the optimum clamping distance and pressure and so is most useful for repetitious clamping applications.



Holding Capacity	Jaw Min	Jaw Max	Standard Spindle Supplied	Order Code IND-443	Price/1 THB
90kg	25.4	52.4	Hex. Head	-4510K	1218.00
318kg	44.4	92.0	Swivel	-4550K	2048.00
318kg	76.2	123.8	Hex. Head & Swivel	-4570K	2300.00

## 'Stub' Type Toggle Pliers

With two stub arms for easy linking to special jaw extensions.



Holding Capacity	Closed Head Width (mm)	Overall Length (mm)	Order Code IND-443	Price/1 THB
500kg	95.6	156.1	-4590K	1911.00