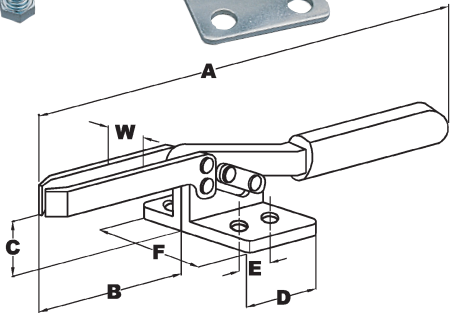
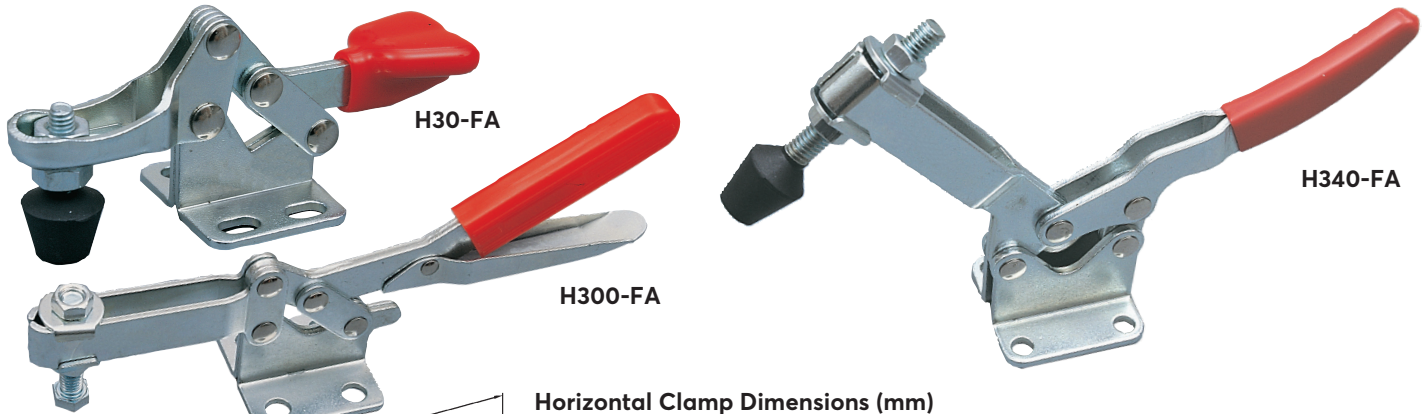


## INDEXA Horizontal Industrial Toggle Clamp

With a low profile design suitable for use in applications requiring increased access to the actual workpiece. Available in eight sizes for general application in areas where a lower profile is required. Force applied downwards 90° to bar.



Horizontal Clamp Dimensions (mm)

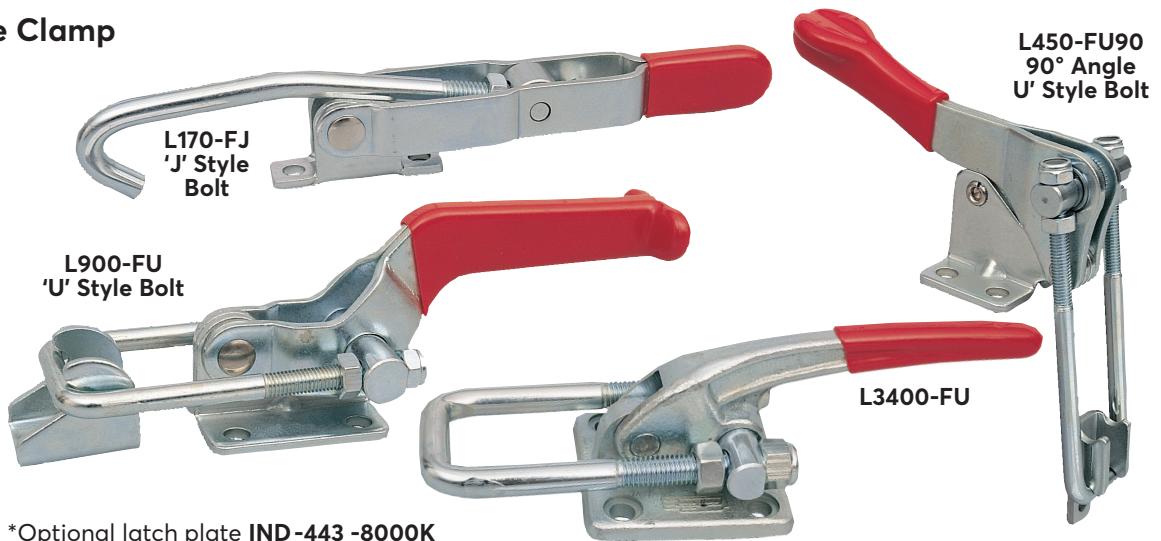
Holding Capacity	A	B	C	D	E	F	W
30kg	76.5	28.0	12.5	24.0	11.5	28.5	8.5
90kg	138.0	55.0	25.4	37.0	25.4	36.0	7.4
227kg	168.0	70.0	34.9	38.0	25.4	35.0	8.3
300kg	270.0	85.0	36.5	58.0	34.0	60.0	11.0
340kg	262.0	107.5	46.9	57.1	41.3	57.2	11.0
400kg	240.0	60.0	54.0	70.0	42.0	50.0	12.6
500kg	270.0	91.2	38.0	58.0	37.0	70.0	11.0
636kg	272.0	76.2	51.0	90.0		48.0	12.7

Product Number	Holding Capacity	Movement Handle	Bar	Base Type	Supplied with	Weight each	Order Code IND-443	Price/1 THB
H65-FA	75kg	76°	94°		Hex Head Spindle (M5) Moulded PVC Handles	100g	-1960K	945.00
H86-FA	150kg	76°	94°		Hex Head Spindle (M6) Moulded PVC Handles	230g	-1970K	1082.00
H217-FA	250kg	76°	94°		Hex Head Spindle (M8) Moulded PVC Handles	430g	-1980K	1218.00
H30-FA	30kg	88°	80°		Tipped Spindle (M4)	40g	-2020K	798.00
H90-FA	90kg	60°	85°		Tipped Spindle (1/4") and Flanged Washer	130g	-2120K	1082.00
H227-FA	227kg	65°	90°	Flanged	Tipped Spindle (5/16") and Flanged Washer	255g	-2220K	1050.00
H300-FA	300kg	85°	80°		Hexagon Head Spindle (3/8") and Flanged Washer	490g	-2320K	1596.00
H340-FA	340kg	50°	85°		Tipped Spindle (3/8") and Flanged Washer	640g	-2420K	1880.00
H400-FA	400kg	85°	84°		Tipped Spindle (3/8") and Flanged Washer	600g	-2520K	2163.00
H500-FA	500kg	85°	65°		Hexagon Head Spindle (M10) and Flanged Washer	450g	-2620K	2163.00
H636-FA	636kg	94°	91°		Hexagon Head Spindle (1/2") and Flanged Washer**	1220g	-2720K	2426.00

\*\*Single mounting centre hole 13mm diameter for 'Tee' bolt mounting

## Latch Type Toggle Clamp

Suitable for sealing chamber doors or mould closures. The latched bolts are threaded to allow easy adjustment and provide positive connection with latch plate.



\*Optional latch plate IND-443 -8000K

Product Number	Holding Capacity	Drawing Movement	Drawing Adjust	Base Type	Description	Weight each	Order Code IND-443	Price/1 THB
L164-FU	164kg	30mm	9.9mm		U-Style Bolt	80g	-4070K	809.00
L318-FU	318kg	45mm	9.6mm		U-Style Bolt	225g	-4010K	945.00
L900-FU	900kg	80mm	23.8mm		U-Style Bolt	680g	-4130K	1355.00
L1818-FU	1818kg	88.9mm	19mm		U-Style Bolt*	1260g	-4170K	3581.00
L3400-FU	3400kg	55.6mm	28.6mm		U-Style Bolt*	1480g	-4210K	4641.00
L170-FJ	170kg	100mm	6.5mm	Flanged	J-Style Bolt	270g	-4030K	914.00
L170-FJ	170kg	105mm	35mm		J-Style Bolt	255g	-4050K	809.00
L340-FJ	340kg	140mm	40mm		J-Style Bolt	340g	-4190K	1365.00
L225-FU90	225kg	25mm	15mm		90° Angle U-Style Bolt	113g	-4090K	809.00
L450-FU90	450kg	65mm	33mm		90° Angle U-Style Bolt	250g	-4110K	1082.00
L900-FU90	900kg	45mm	40mm		90° Angle U-Style Bolt	700g	-4150K	1575.00